

Eurex Repo/SecLend Service Notice

Subject **Eurex Repo Release Schedule for 2012**

To IT Administrators
 Repo Business Coordinators

Authorised by Arnold Josef

Markets CHF Repo Market Euro Repo Market / GC Pooling Market
 OTC Spot Market SecLend Market

Pages 3

Date 23.12.2011

Information 

Please be advised that **Eurex Repo** plans to introduce **two mandatory releases** and some technical enhancements in 2012. We would like to provide you with the migration schedule and an overview of the new functionality and the technical enhancements. Note that the scope of the second release has not yet been defined at this point. We hope that this will allow you to plan your activities and resources ahead. As usual, we will announce the final migration schedule and the exact release details in a separate service notice for each release.

1 Eurex Repo/SecLend Releases

Release	Status	In Membertest	In Production	Remarks
12.1.3	optional	27.12.2012	09.01.2012	Bug fix of withdrawn release 12.1.2
13.0.x	mandatory	23.04.2012	14.05.2012	New functions / PAPI changes (see section 1.1). Participants using Participant Own Applications (POAs) have to adapt and recompile their applications.
14.0.x	mandatory	05.11.2012	26.11.2012	Scope to be determined

1.1 New Functionality in Release 13.0.x

The following new functionality will be introduced with release 13.0.x

- Introduction of "Brokerage" model for Repo markets (RCR 0192).

1.2 New Functionality in Release 14.0.x

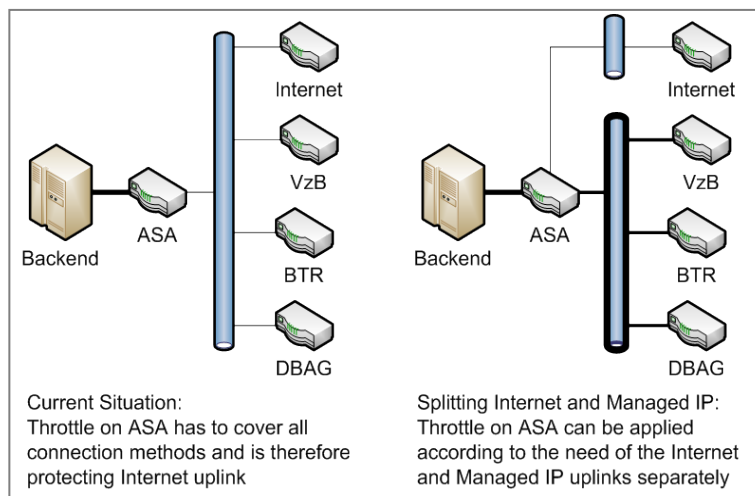
The scope of this release has not yet been defined.

2 Technical Enhancements

The following technical enhancements are scheduled for 2012. These enhancements will be introduced independently of the Eurex Repo/SecLend releases.

2.1 Bandwidth Optimization

Bandwidth optimization for Eurex Repo (SCR 0601) will be introduced on **11 February 2011**. As a result, the maximum bandwidth will be increased from 512 to 2048 kbit/s (for Managed IP only). Further details will be announced in a separate Service Notice.



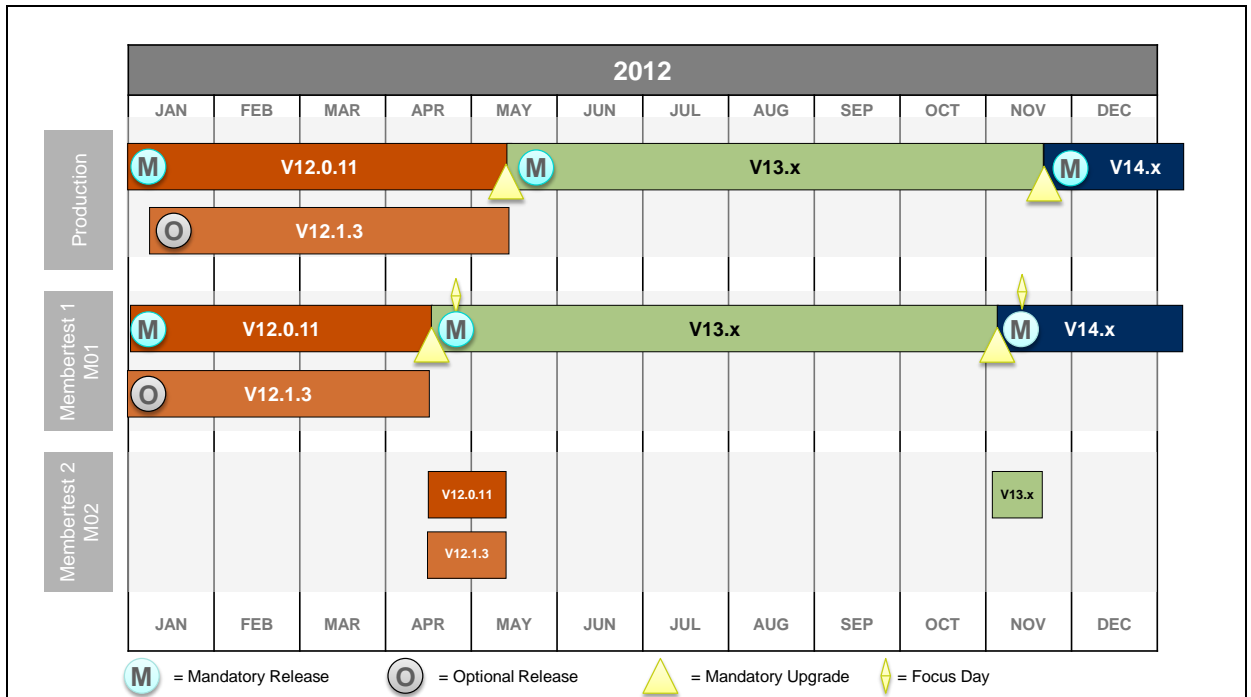
2.2 Cisco Easy VPN on Cisco IOS Software-Based Routers

Support of Cisco Easy VPN (SCR 0625) for connecting to Eurex Repo will start in 2012. The introduction date is still open. We will inform you in due course.

3 Release Schedule

The figure below gives an overview of the Eurex Repo release in 2012. There will be a Focus Day for each mandatory release on the Wednesday two weeks before the production start.

When the Repo Membertest 1 (M01) environment is upgraded to the next mandatory release, an additional Repo Membertest environment (M02) will be set up to allow participants and third parties to perform tests with the production release deployed at that time.



If you have any questions, please do not hesitate to contact your Eurex Repo Technical Helpdesk
 Geneva +41 58 399 2028
 London +44 20 7864 4334
 Zurich +41 58 399 2488

Or send an e-mail to techhelp@eurexrepo.com.

The Eurex Repo Technical Helpdesk is operated by the SIX Swiss Exchange Member Support Center.